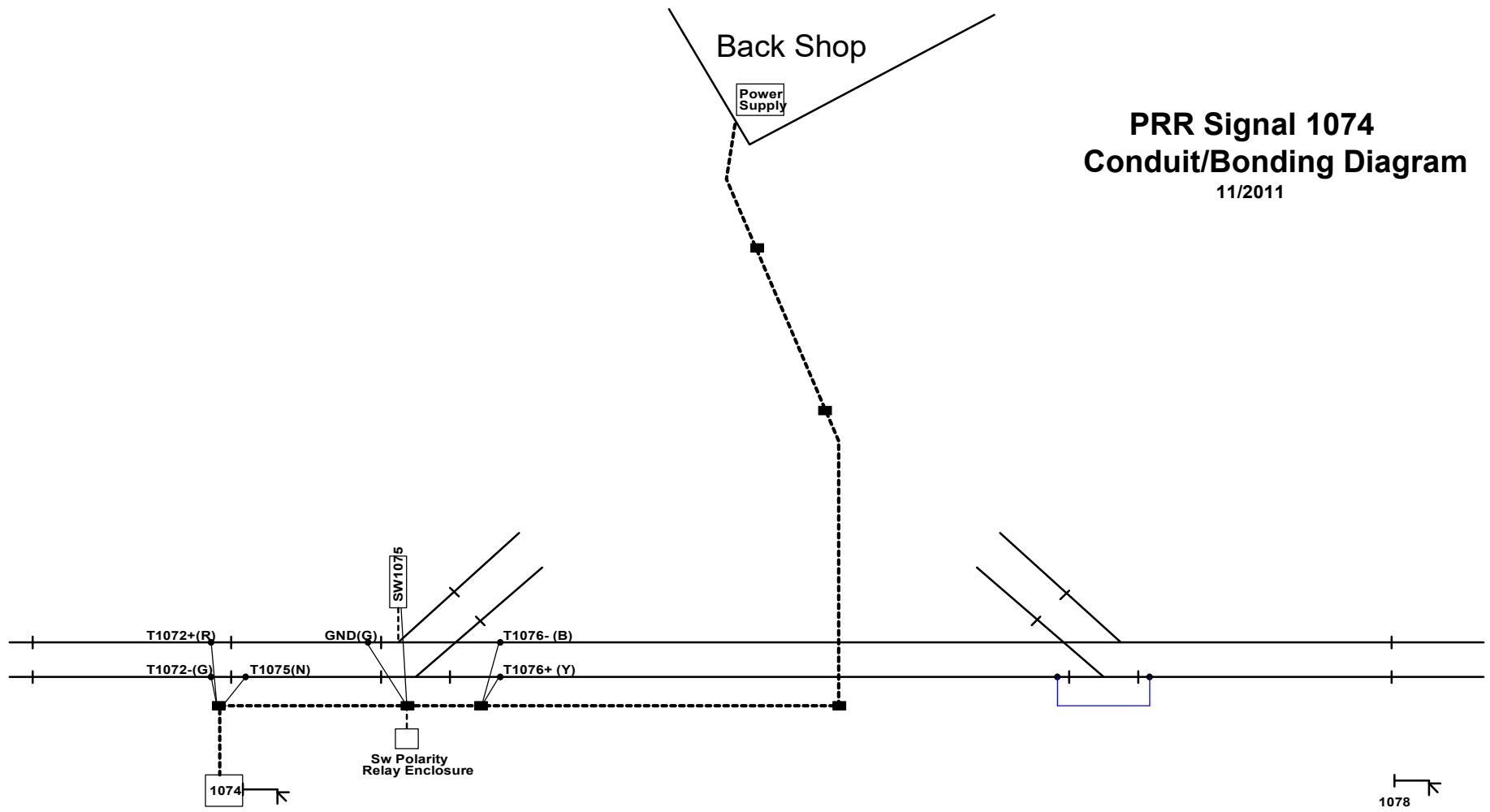


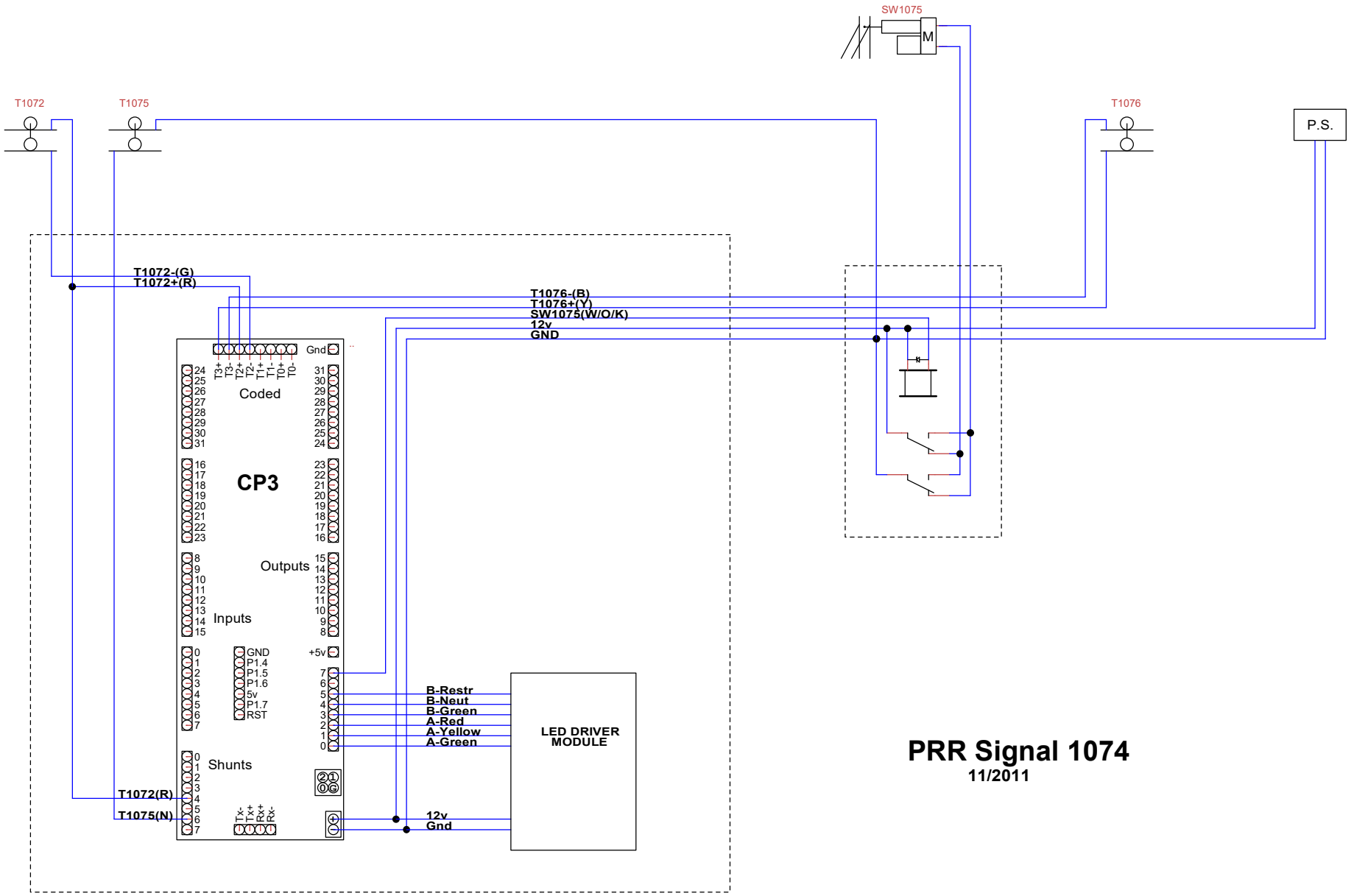
Back Shop

Power Supply

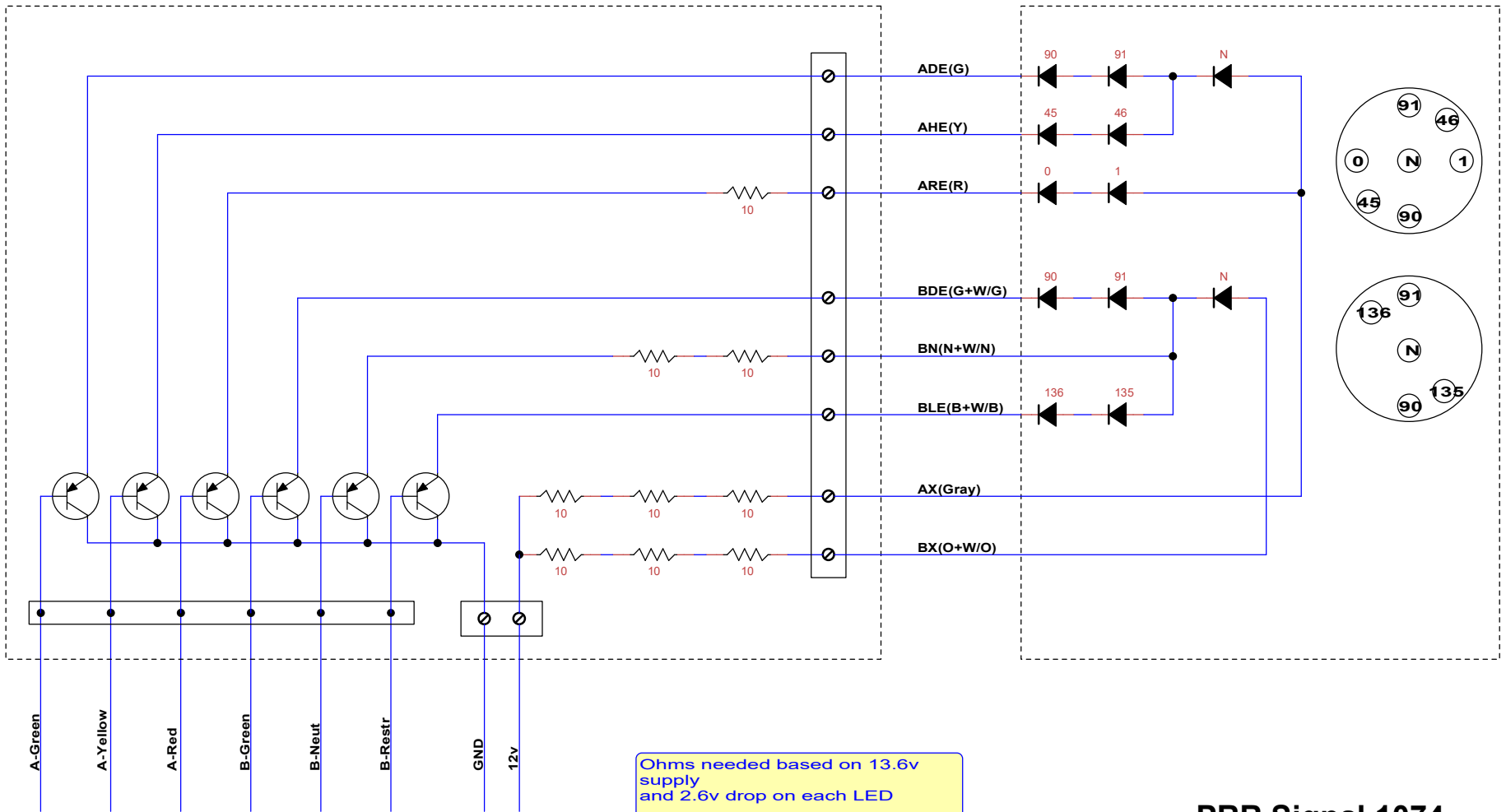
PRR Signal 1074 Conduit/Bonding Diagram

11/2011





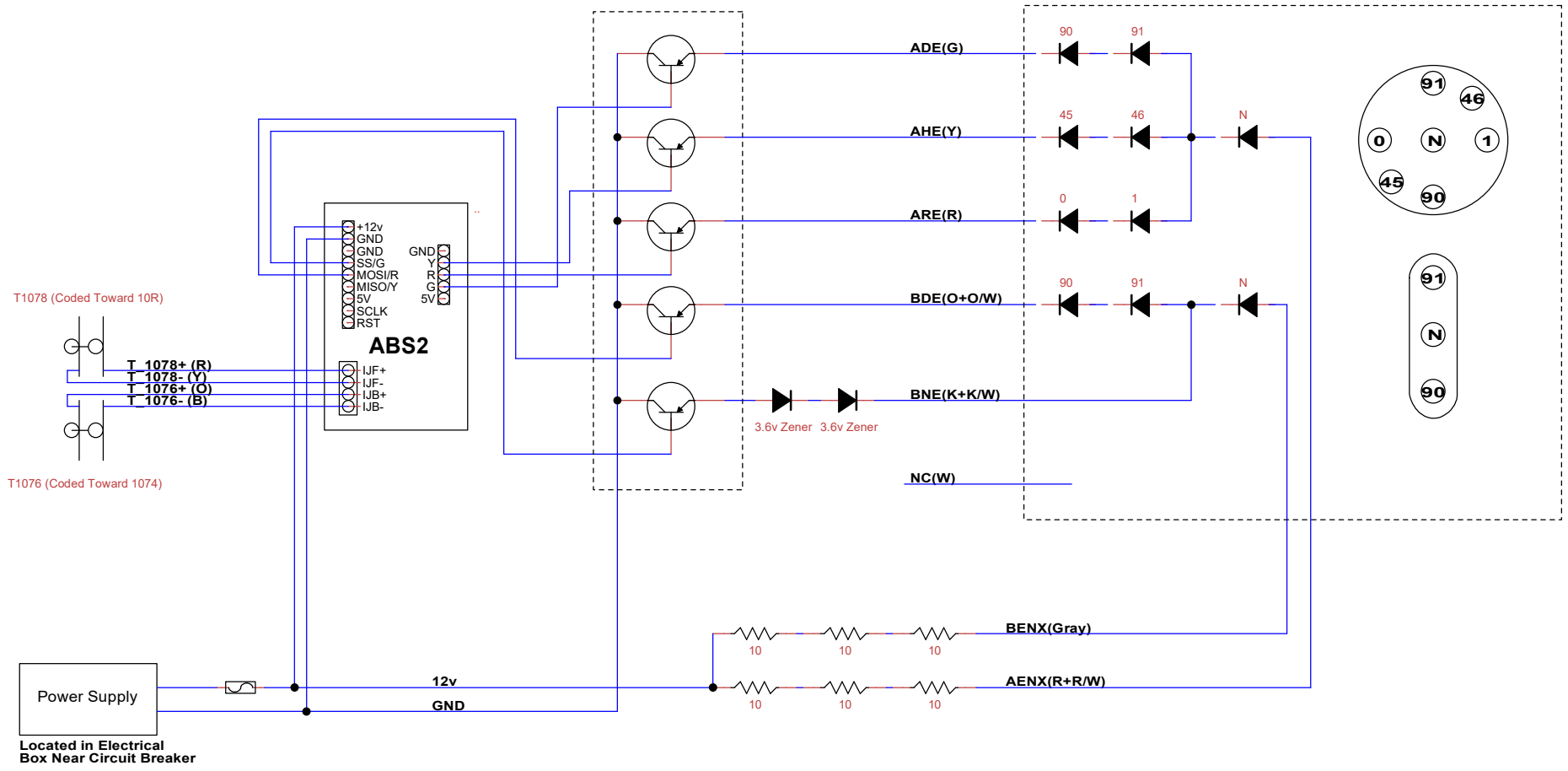
PRR Signal 1074
11/2011



Ohms needed based on 13.6v supply and 2.6v drop on each LED

#Diodes	3	2	1
100mA	60	85	110
120mA	50	70	92
150mA	40	56	73
200mA	30	42	55

PRR Signal 1074 LED Driver Module



PRR Signal 1078

8/2011