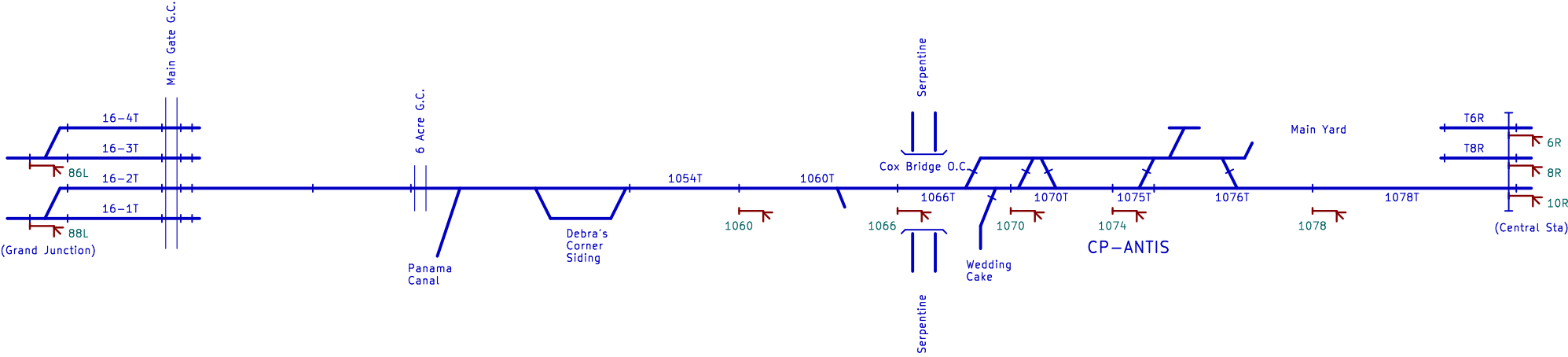


Track Diagram 6 Acre Loop



gc-6acre

 File: gc-6acre.kicad_sch

1060

 File: 1060.kicad_sch

1066

 File: 1066.kicad_sch

1070

 File: 1070.kicad_sch

1074

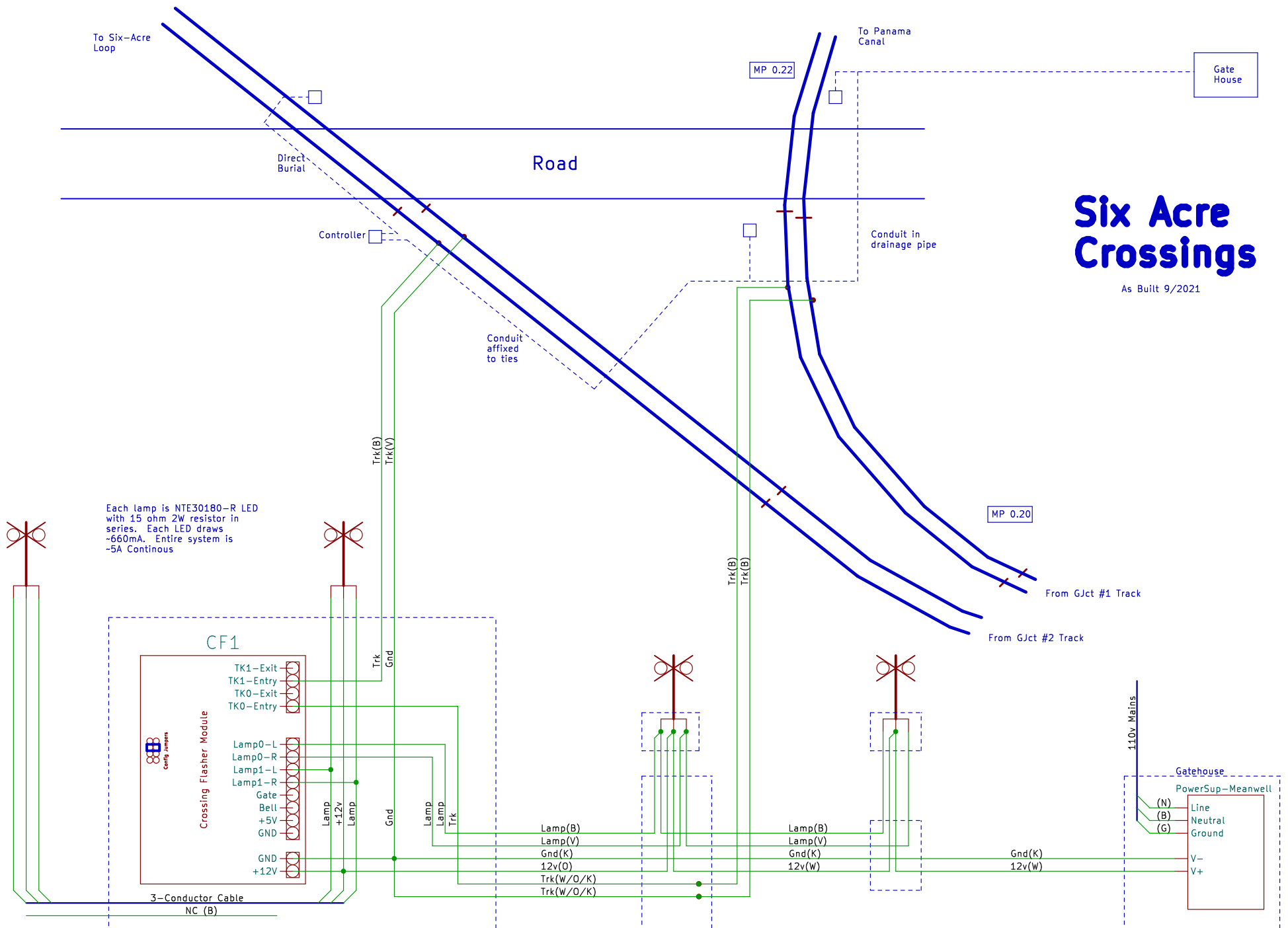
 File: 1074.kicad_sch

1078

 File: 1078.kicad_sch

Six Acre Crossings

As Built 9/2021



Signal 1060

PRR Position Light Type

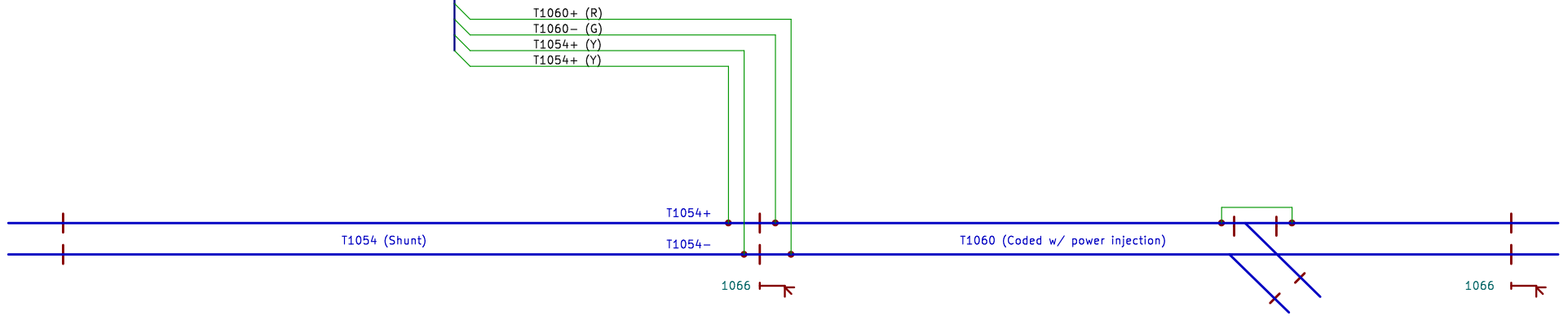
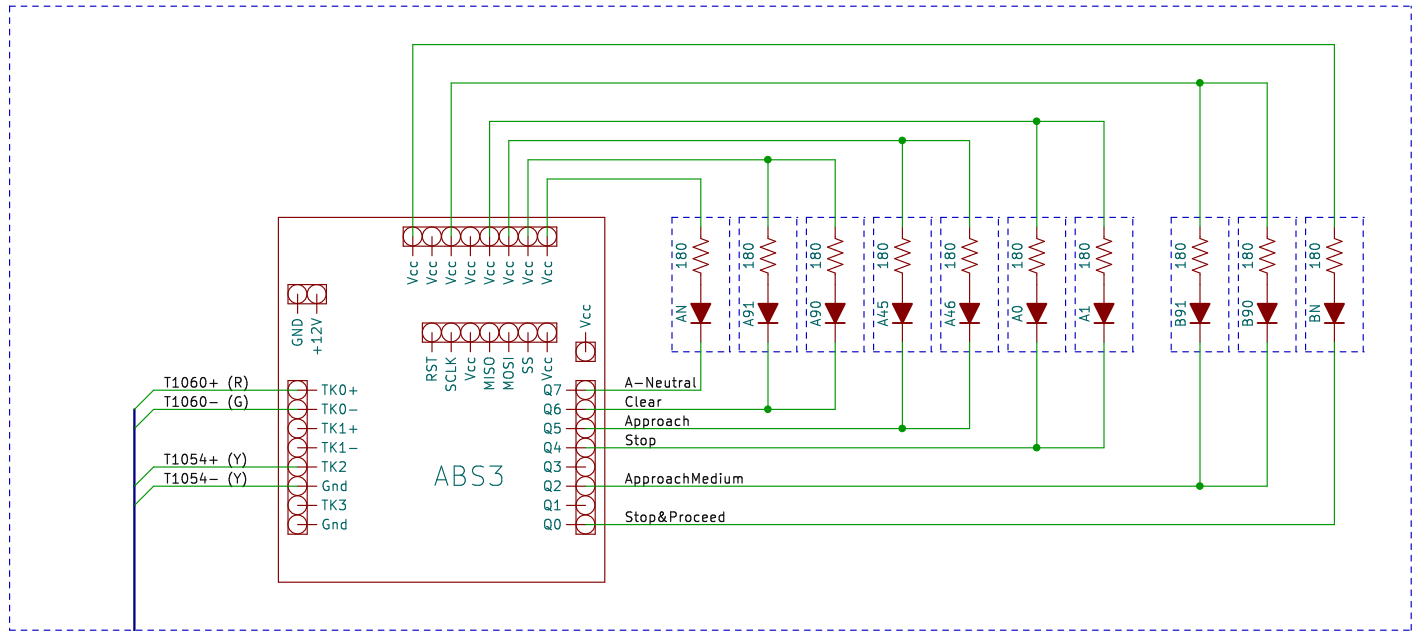
Installed 7/2023

ABS3 Configuration:

Battery powered
TK0 powered from rails
TK1 standard coded
TK2 populated
TK3 omitted

U4 Voltage regulator omitted
Battery charge current circuit populated
R9,R10 used, R8 omitted
R26 used,R27 omitted
D3,D4 13.6v TVS
D5,D6,D7 6.8 TVS

LED=XPCAMB-L1-R250-00401(Cree)



Signal 1066

PRR Position Light Type

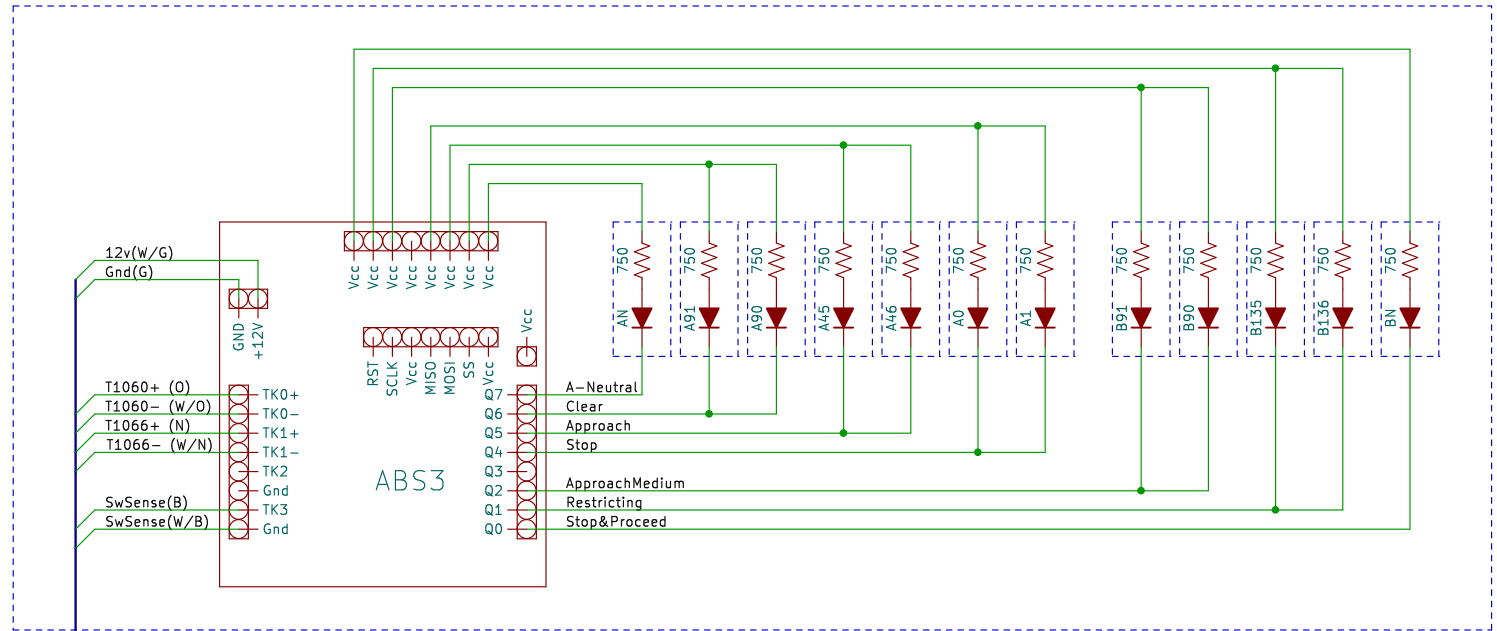
Installed 6/2023

ABS3 Configuration:

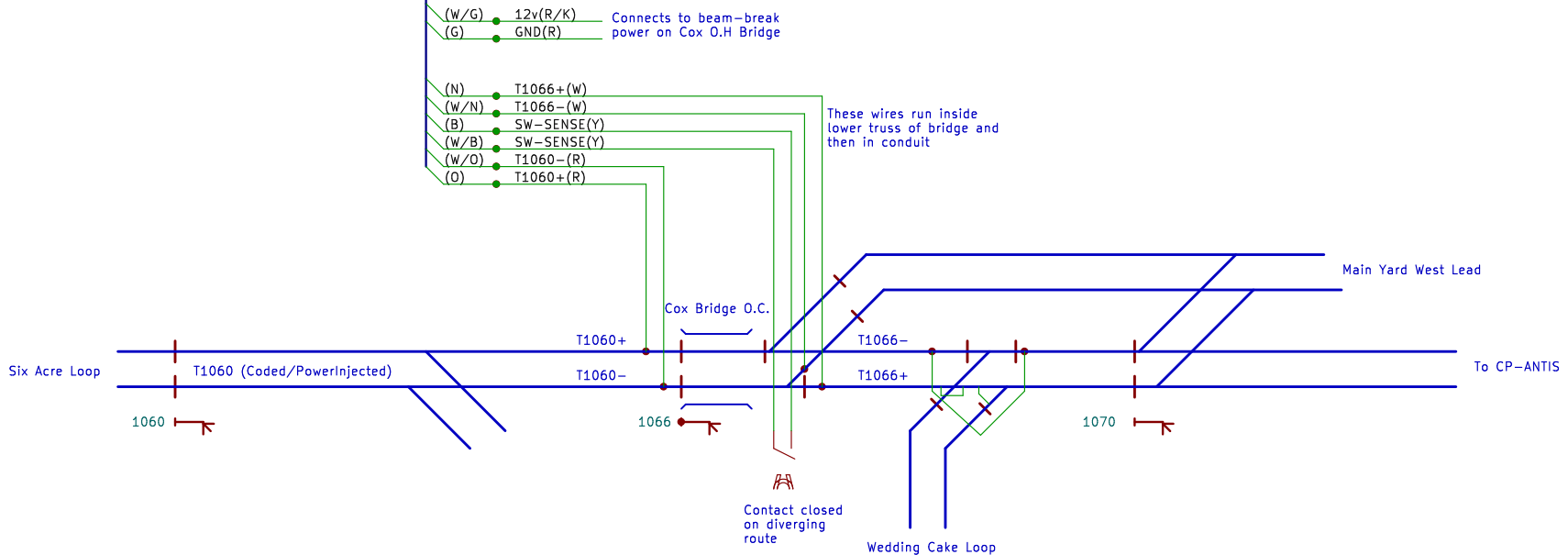
External 12v power
TK0 injects power to rails
TK1 standard coded
TK2 populated
TK3 populated

U4 Voltage regulator used.
Battery charge current circuit omitted
R8,R10 used. R9 omitted
R12 substitute with 9.1 zener diode
R26,R27 omitted
D3,D4 13.6v TVS
D5,D6,D7,D8 6.8 TVS

LED=Luxeon Rebel



1066 Mounted on Cox O.H Bridge



Signal 1070

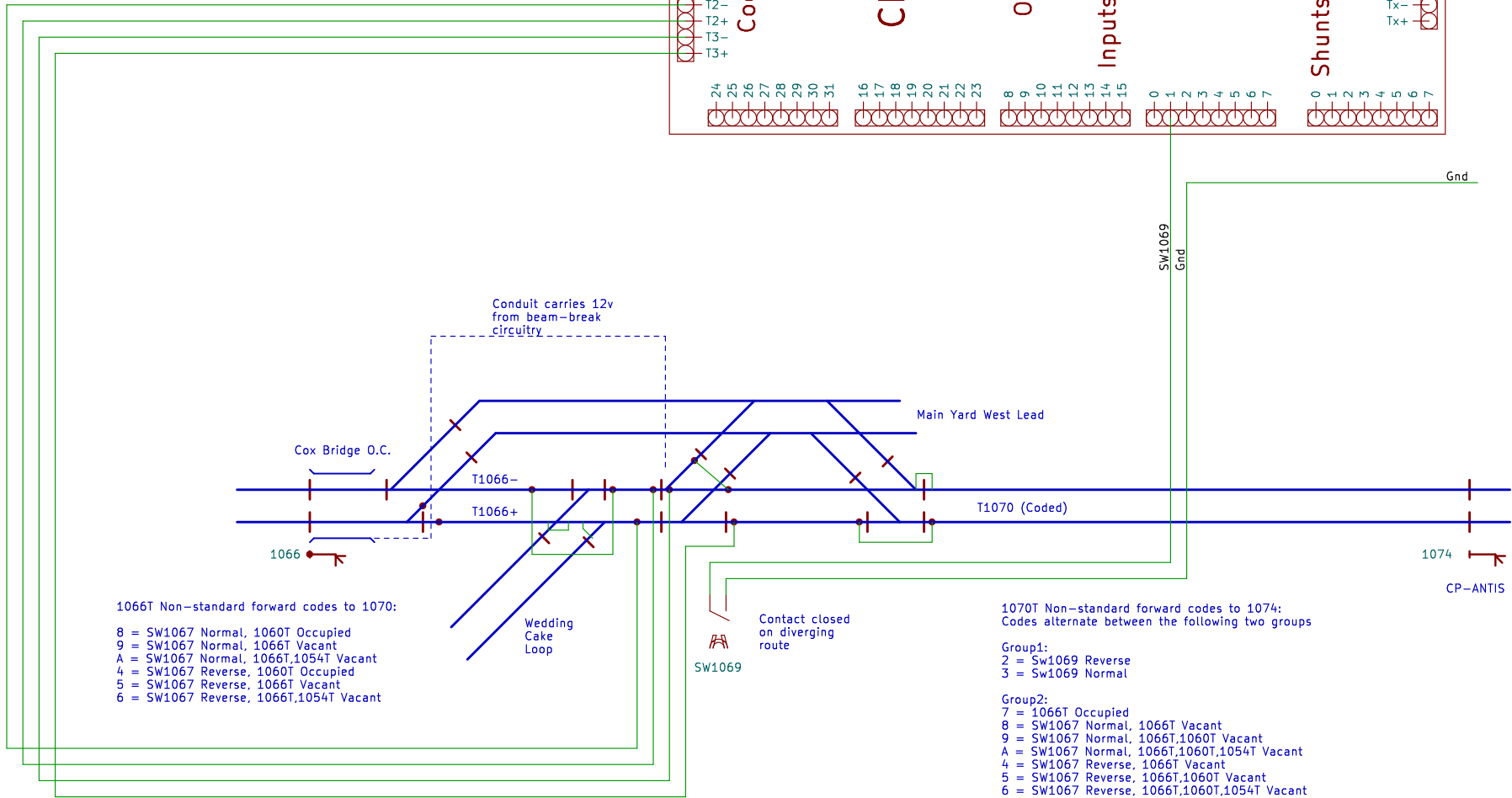
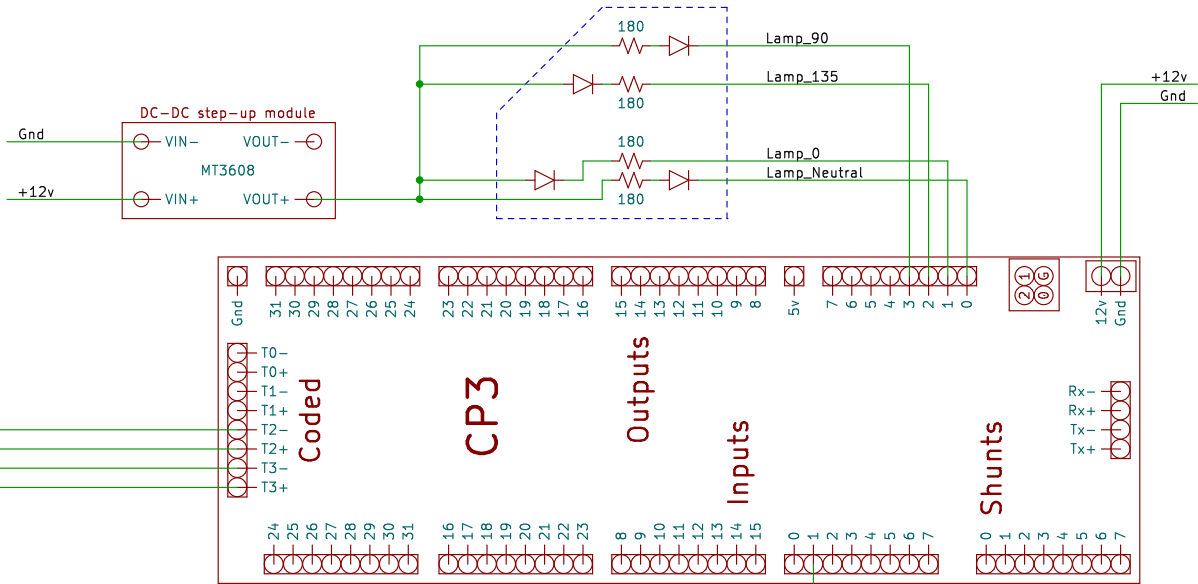
PRR Position Light Dwarf

Installed 6/2024

CP3.1 Configuration:

External 12v power
TK0 not populated
TK1 populated
TK2 standard coded
TK3 standard coded

LED P/D NUM = BXRE-30E0800-D-73 (Bridgelux)
Operating voltage = -16v



1066T Non-standard forward codes to 1070:
 8 = SW1067 Normal, 1060T Occupied
 9 = SW1067 Normal, 1066T Vacant
 A = SW1067 Normal, 1066T,1054T Vacant
 4 = SW1067 Reverse, 1060T Occupied
 5 = SW1067 Reverse, 1066T Vacant
 6 = SW1067 Reverse, 1066T,1054T Vacant

1070T Non-standard forward codes to 1074:
 Codes alternate between the following two groups

Group1:
 2 = Sw1069 Reverse
 3 = Sw1069 Normal

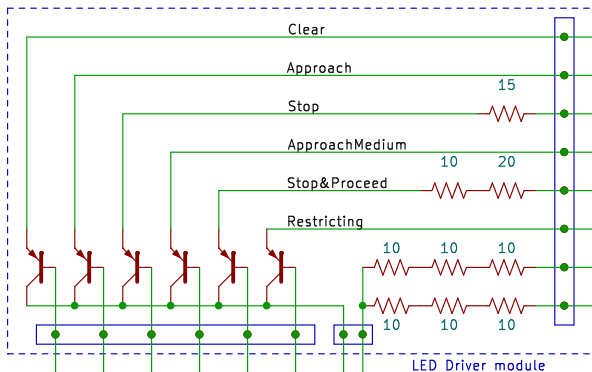
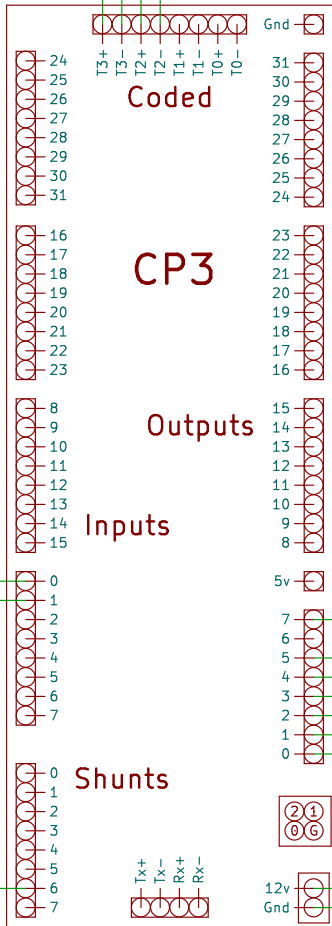
Group2:
 7 = 1066T Occupied
 8 = SW1067 Normal, 1066T Vacant
 9 = SW1067 Normal, 1066T,1060T Vacant
 A = SW1067 Normal, 1066T,1060T,1054T Vacant
 4 = SW1067 Reverse, 1066T Vacant
 5 = SW1067 Reverse, 1066T,1060T Vacant
 6 = SW1067 Reverse, 1066T,1060T,1054T Vacant

T1076+ (Y)
 T1076- (B)
 12v(R)
 Gnd(K)
 Sw1075-Polarity(W/O/K)

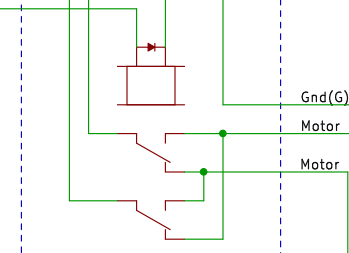
CP - ANTIS Signal 1074

Built 11/2021
 Replacement lenses from General Signals:
 (812) 474-4256
 Glenn (ggrant@generalsignals.com)
 1269-6-HP-L (5 3/8" yellow cone) \$33.92
 870-3-C (internal diffuser) \$24.01

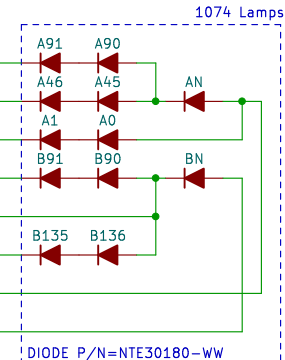
T1070- (G)
 T1070+ (R)



T1076+ (Y)
 T1076- (B)
 12v(W)
 Gnd(K)



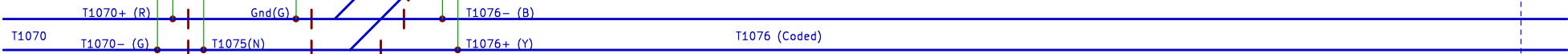
2-gang elec. box adjacent to turnout



Meanwell
 12v Power
 Supply
 in corner
 room of
 BackShop

Box on 1074 mast

Conduit runs
 under Main
 Yard to corner
 of backshop



ABS2-1078ECO

9/2021

R17-R19 replace
Q1-Q3 in slave
configuration
R21-R23

5v - 82 ohm
12v - 390 ohm
13.6v - 470 ohm

